

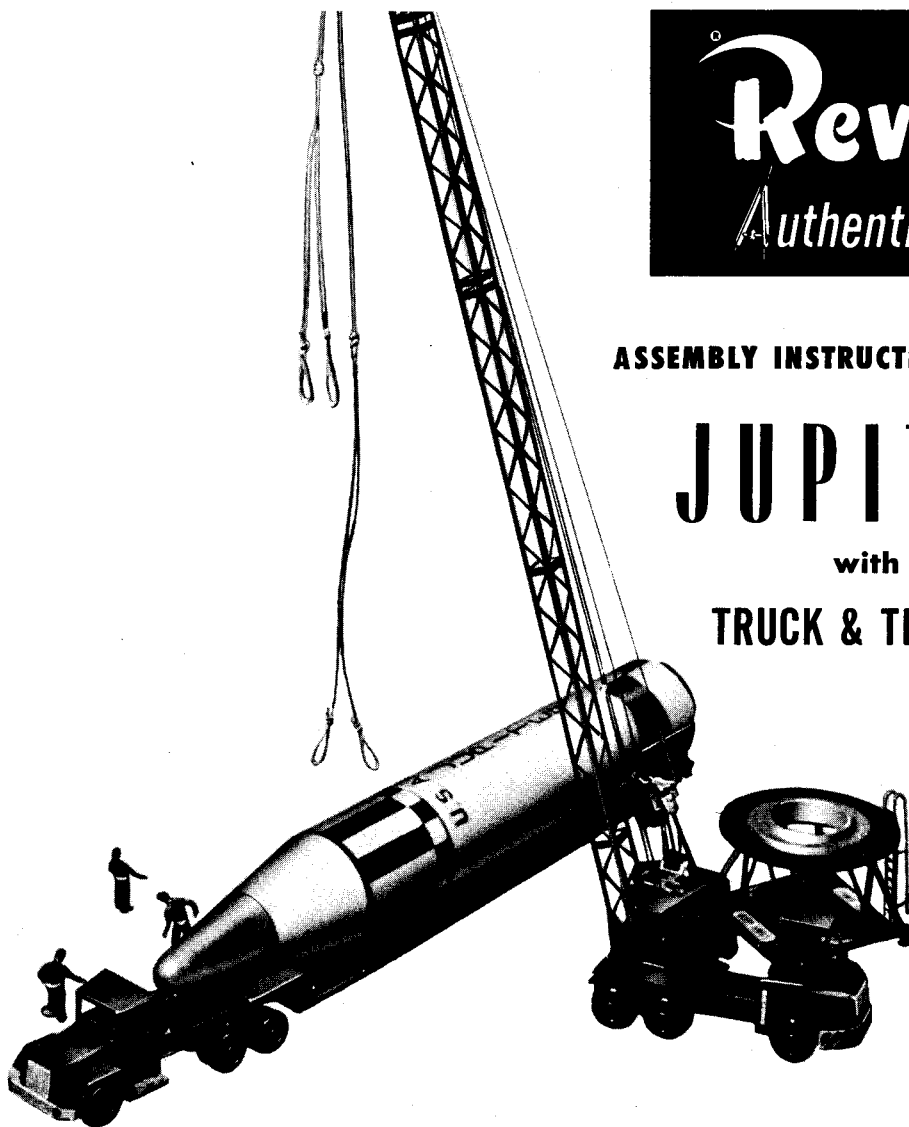


ASSEMBLY INSTRUCTIONS FOR YOUR

JUPITER

with

TRUCK & TRAILER




INTERESTING FACTS ABOUT YOUR U. S. ARMY JUPITER MISSILE

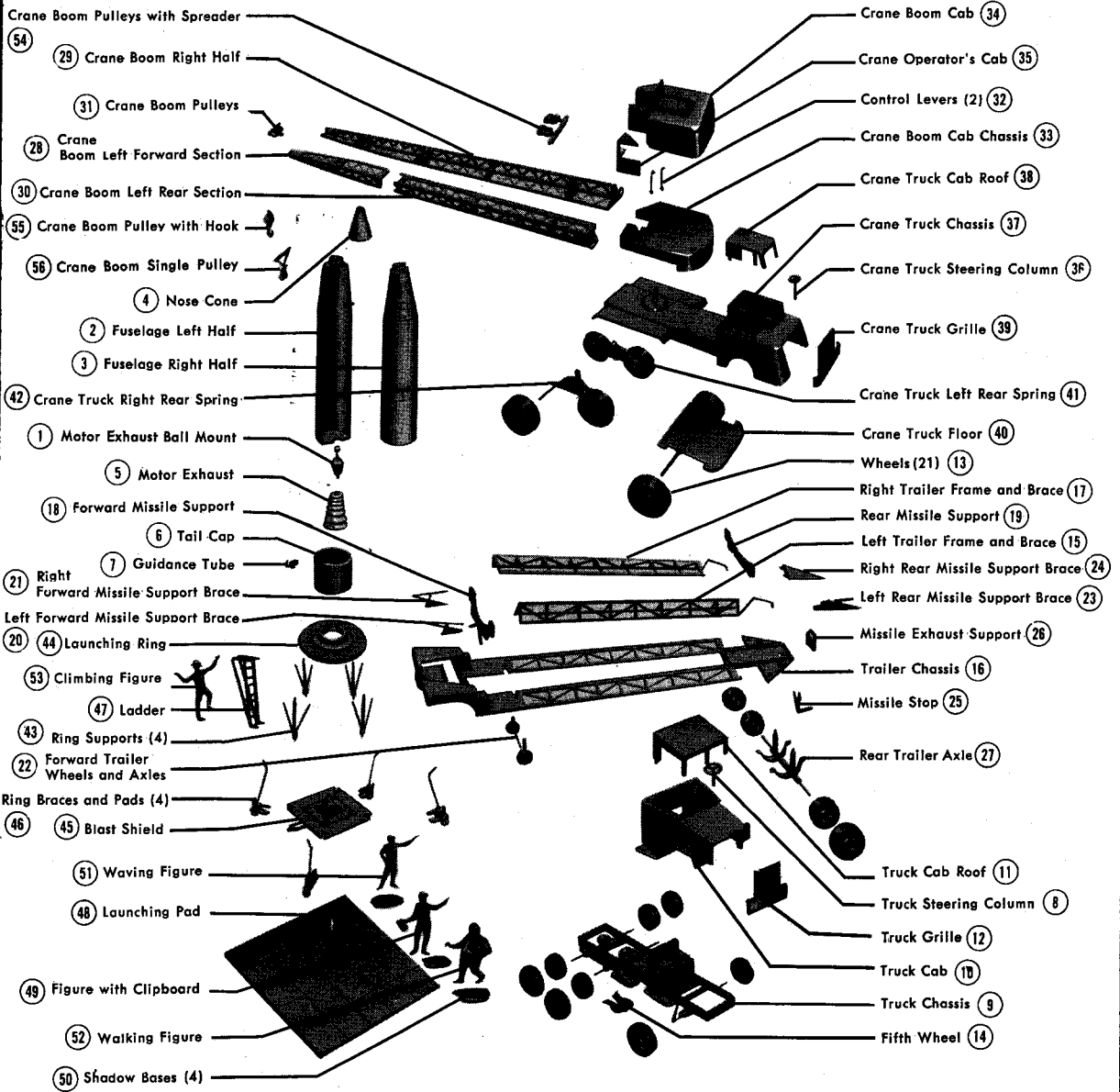
The JUPITER, manufactured by the Chrysler Corporation, was designed by the United States Army's Ballistic Missile Agency in Huntsville, Alabama. It is designed to carry a nuclear warhead over 1,500 miles, and is a missile of extremely simple design, as missile go. It is slightly less than 60 feet in length, and has a constant diameter, cylindrical body with a diameter of nine feet. The inertial guidance system is carried in the conical nose section. JUPITER is powered by a Rocketdyne liquid propellant engine, which develops 150,000 pounds of thrust. Roll control is supplied by a gimballed exhaust nozzle. Speed is given as 10,000 miles per hour.

This missile is in mass production and will soon be supplied to squadrons in various parts of the world. It is one of this country's major retaliation weapons.

FOR BEST RESULTS READ THIS FIRST

1. All parts are numbered for easy identification, or the numbers are engraved on the bar next to the part. Break each part from its bar only when that part is to be used.
2. For the best fit, carefully trim any excess plastic from parts before assembling.
3. Since this kit is molded of Styrene Plastic, use only REVELL TYPE  CEMENT. Do not let cement touch your eyes or clothing.
4. Apply cement sparingly. Excess cement may run and damage the details on your model.
5. With REVELL PAINT SET COLORS, paint all parts where indicated and allow them to dry before assembling.
6. Directions for applying decals are on the back of the Decal Sheet.
7. NOW CAREFULLY FOLLOW THESE NUMBERED STEPS FOR EASE IN BUILDING YOUR MODEL.

PARTS LIST FOR ARMY JUPITER MISSILE



CUT HERE

SHOULD ANY PARTS BE MISSING, CIRCLE MISSING PARTS AND SEND IN PARTS LIST AND COUPON TO: DEPT. X, REVELL, INC., 4223 GLENCOE AVENUE, VENICE, CALIFORNIA

BEFORE YOU CIRCLE THE NUMBER(S) THAT CORRESPONDS WITH THE NAME OF THE PART (ONLY IF MISSING OR BROKEN) PLEASE FILL IN THE FOLLOWING INFORMATION:

Name of the store where kit was purchased: _____
 Street Address: _____
 City: _____ State: _____
 Date of purchase: _____

(PRINT CLEARLY)

PLEASE FILL IN COUPON BELOW IN INK

FROM: **Revell** INC. 4223 GLENCOE AVE.
 VENICE CALIFORNIA

YOUR NAME (Please Print) _____

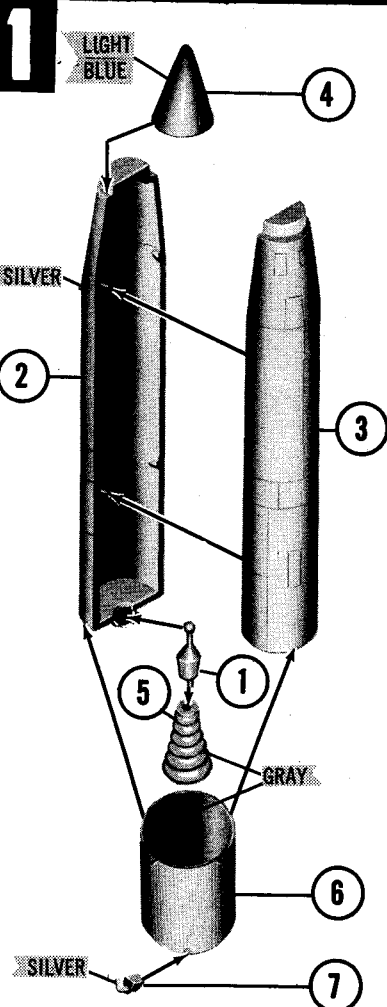
STREET ADDRESS _____

CITY _____ ZONE _____ STATE _____

PARTS LIST FOR YOUR ARMY JUPITER MISSILE

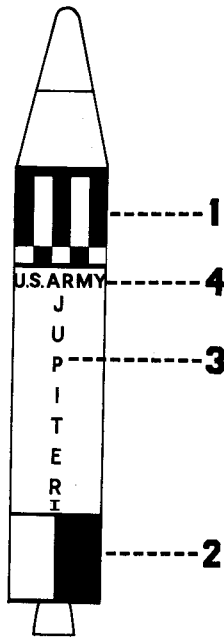
- | | |
|---|--------------------------------------|
| 1. Motor Exhaust Ball Mount | 30. Crane Boom Left Rear Section |
| 2. Fuselage Left Half | 31. Crane Boom Pulleys |
| 3. Fuselage Right Half | 32. Control Levers (2) |
| 4. Nose Cone | 33. Crane Boom Cab Chassis |
| 5. Motor Exhaust | 34. Crane Boom Cab |
| 6. Tail Cap | 35. Crane Operator's Cab |
| 7. Guidance Tube | 36. Crane Truck Steering Column |
| 8. Truck Steering Column | 37. Crane Truck Chassis |
| 9. Truck Chassis | 38. Crane Truck Cab Roof |
| 10. Truck Cab | 39. Crane Truck Grille |
| 11. Truck Cab Roof | 40. Crane Truck Floor |
| 12. Truck Grille | 41. Crane Truck Left Rear Spring |
| 13. Wheels (21) | 42. Crane Truck Right Rear Spring |
| 14. Fifth Wheel | 43. Ring Supports (4) |
| 15. Left Trailer Frame and Brace | 44. Launching Ring |
| 16. Trailer Chassis | 45. Blast Shield |
| 17. Right Trailer Frame and Brace | 46. Ring Braces and Pads (4) |
| 18. Forward Missile Support | 47. Ladder |
| 19. Rear Missile Support | 48. Launching Pad |
| 20. Left Forward Missile Support Brace | 49. Figure with Clipboard |
| 21. Right Forward Missile Support Brace | 50. Shadow Bases (4) |
| 22. Forward Trailer Wheels and Axles | 51. Waving Figure |
| 23. Left Rear Missile Support Brace | 52. Walking Figure |
| 24. Right Rear Missile Support Brace | 53. Climbing Figure |
| 25. Missile Stop | 54. Crane Boom Pulleys with Spreader |
| 26. Missile Exhaust Support | 55. Crane Boom Pulley with Hook |
| 27. Rear Trailer Axle | 56. Crane Boom Single Pulley |
| 28. Crane Boom Left Forward Section | 57. Decals |
| 29. Crane Boom Right Half | |

CONTENTS — MERCHANDISE. POSTMASTER: This parcel may be H-1824 opened for postal inspection if necessary. Return postage guaranteed.



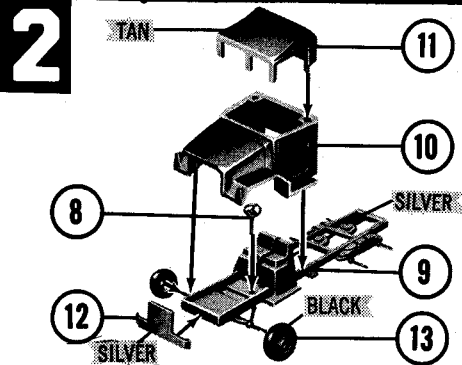
PAINT THE DETAILS, AS SHOWN, BEFORE ASSEMBLING.

- A. Place, do not cement, the Motor Exhaust Ball Mount, Part 1, in the socket in the Fuselage Left Half, Part 2. Now cement the Fuselage Right Half, Part 3, to the Fuselage Left Half. Do not let cement touch the Ball Mount or it will not move freely. Cement the Nose Cone, Part 4, to the Fuselage.
- B. Cement the Motor Exhaust, Part 5, to the Motor Exhaust Ball Mount, as shown. Cement the Tail Cap, Part 6, to the Fuselage. Finally, Cement the Guidance Tube, Part 7, to the Tail Cap, as shown.



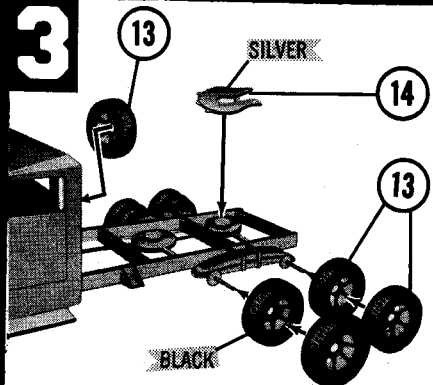
INSTRUCTIONS FOR APPLYING DECALS

1. Use a small brush to wet your model where decal is to be applied.
2. Cut one decal from decal sheet and dip in water. Take decal from water and wait 10 to 15 seconds.
3. Do not touch decal with your fingers. Wet your brush and slide decal so that one edge is partly off the backing paper.
4. Position the edge of the decal on your model. Hold the decal in place with your brush and gently slide the backing paper out from under the decal. Work carefully to avoid stretching decal.
5. Now position the decal on your model with the brush. Squeeze most of the water from the brush and carefully smooth the decal to remove air bubbles and excess water.
6. Allow plenty of time for decals to dry before handling.



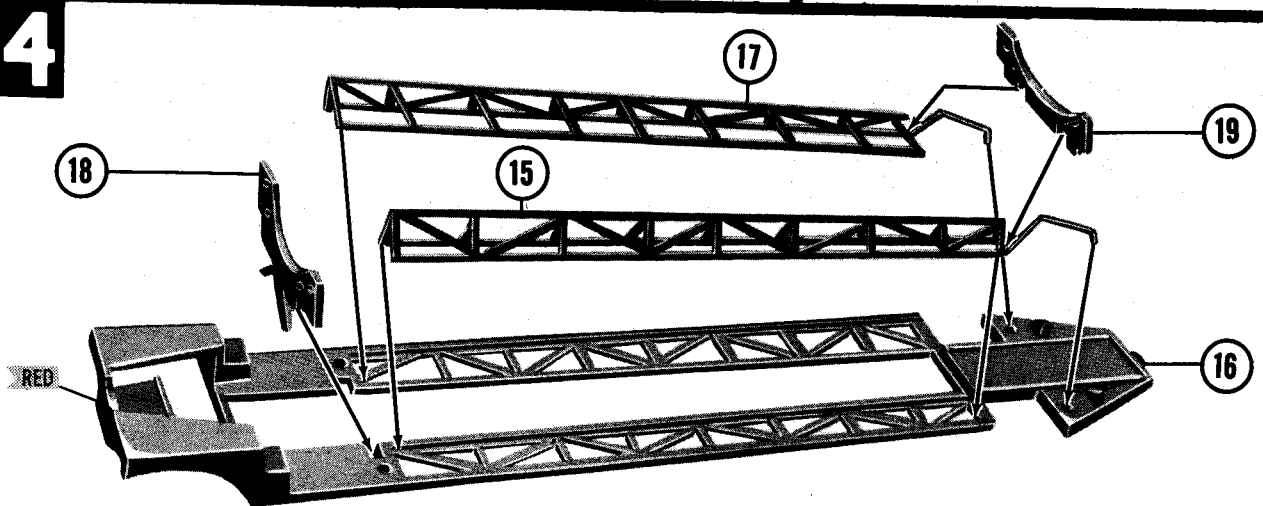
PAINT THE DETAILS, AS SHOWN, BEFORE ASSEMBLING.

- A. Cement the Truck Steering Column, Part 8, to the Truck Chassis, Part 9, as shown. Cement the Truck Cab, Part 10, to the Truck Chassis. Cement the Truck Cab Roof, Part 11, to the Truck Cab.
- B. Cement the Truck Grille, Part 12, to the Cab and Chassis, as shown. Now snap, do not cement, two Wheels, Parts 13, to the Front Axles.



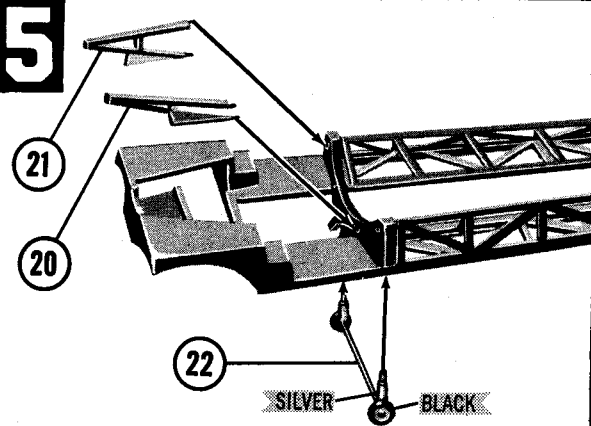
PAINT THE DETAILS, AS SHOWN, BEFORE ASSEMBLING.

- A. Cement a wheel to the back of the Truck Cab, as shown. Snap, do not cement, eight Wheels to the Rear Truck Axles, as shown.
- B. Finally, cement the Fifth Wheel, Part 14, to the Chassis, as shown.



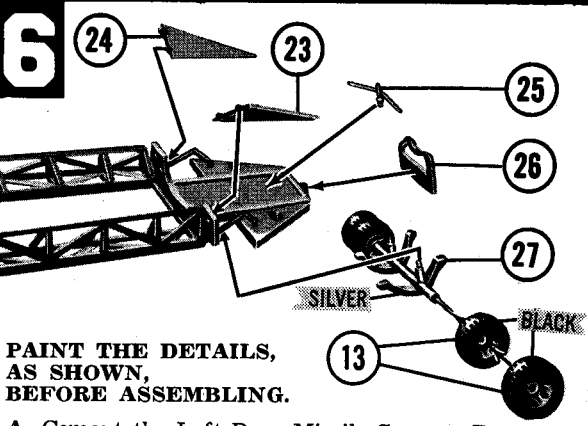
PAINT THE DETAILS, AS SHOWN, BEFORE ASSEMBLING.

- A. Cement the Left Trailer Frame and Brace, Part 15, to the Trailer Chassis, Part 16. Now cement the Right Trailer Frame and Brace, Part 17, to the Trailer Chassis.
- B. Cement the Forward Missile Support, Part 18, to the Missile Trailer. Now cement the Rear Missile Support, Part 19, to the Trailer Chassis.



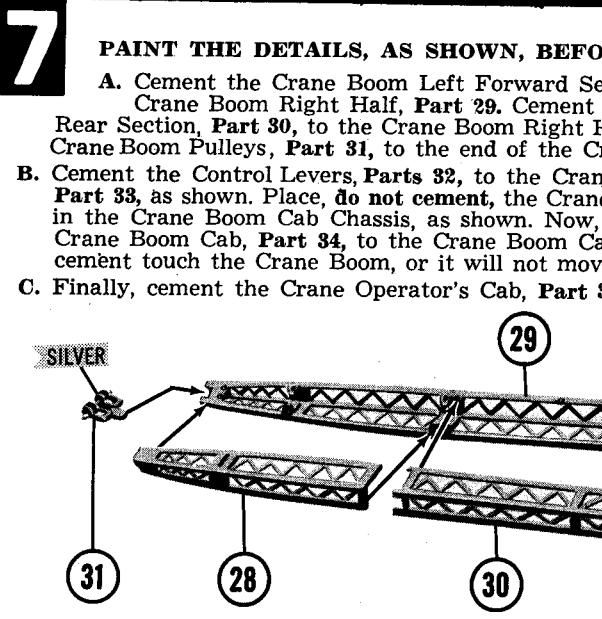
PAINT THE DETAILS, AS SHOWN, BEFORE ASSEMBLING.

- A. Cement the Left Forward Missile Support Brace, Part 20, to the Forward Missile Support and Chassis, as shown. Cement the Right Forward Missile Support Brace, Part 21, to the Forward Missile Support and Chassis.
- B. Cement the Forward Trailer Wheels and Axles, Part 22, to the Trailer Chassis, as shown.



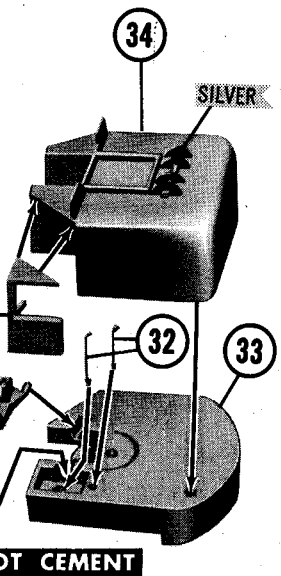
PAINT THE DETAILS, AS SHOWN, BEFORE ASSEMBLING.

- A. Cement the Left Rear Missile Support Brace, Part 23, to the Rear Missile Support and Chassis, as shown. Now cement the Right Rear Missile Support Brace, Part 24, to the Rear Missile Support and Chassis.
- B. Cement the Missile Stop, Part 25, to the Trailer Chassis, as shown. Now cement the Missile Exhaust Support, Part 26, to the Trailer Chassis, as shown. Cement the Rear Trailer Axle, Part 27, to the Trailer Chassis. Now, snap, do not cement, four Wheels to the Axle as shown.



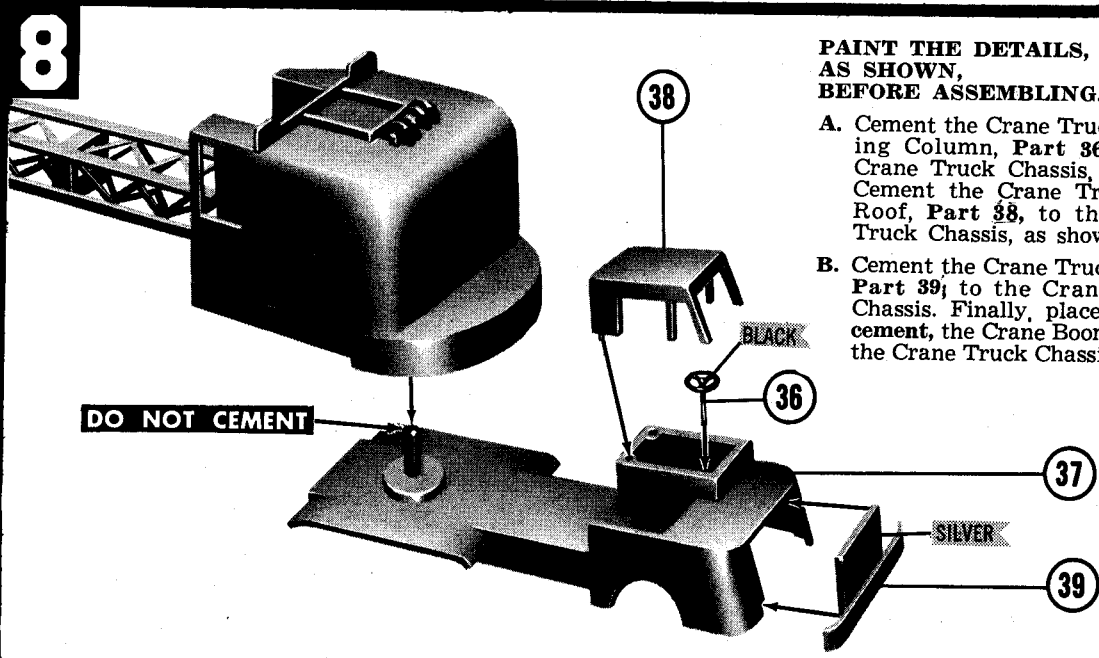
PAINT THE DETAILS, AS SHOWN, BEFORE ASSEMBLING.

- A. Cement the Crane Boom Left Forward Section, Part 28, to the Crane Boom Right Half, Part 29. Cement the Crane Boom Left Rear Section, Part 30, to the Crane Boom Right Half. Now, cement the Crane Boom Pulleys, Part 31, to the end of the Crane Boom, as shown.
- B. Cement the Control Levers, Parts 32, to the Crane Boom Cab Chassis, Part 33, as shown. Place, do not cement, the Crane Boom in the notches in the Crane Boom Cab Chassis, as shown. Now, carefully cement the Crane Boom Cab, Part 34, to the Crane Boom Cab Chassis. Do not let cement touch the Crane Boom, or it will not move freely.
- C. Finally, cement the Crane Operator's Cab, Part 35, to the Crane Cab.



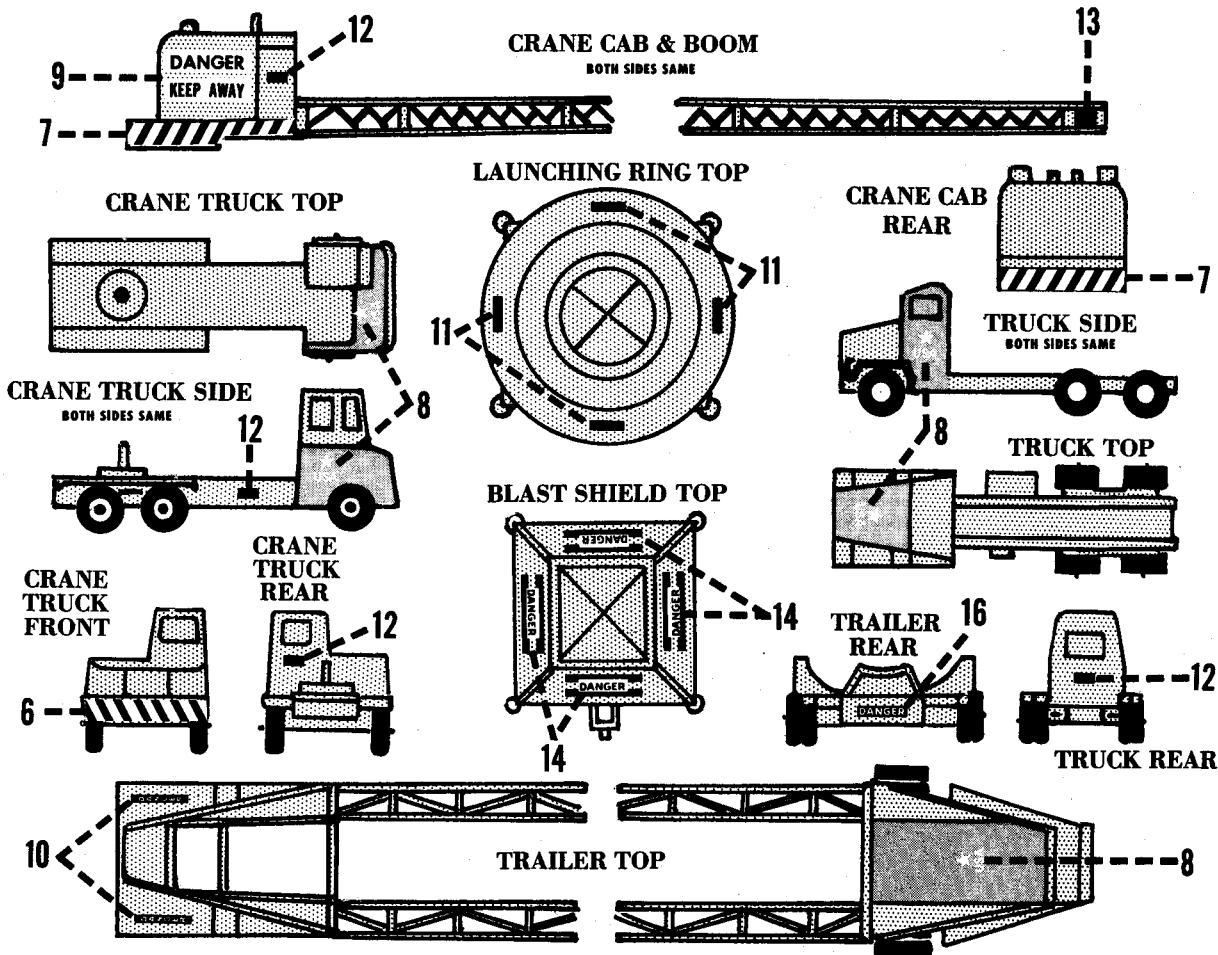
PAINT THE DETAILS, AS SHOWN, BEFORE ASSEMBLING.

- A. Cement the Crane Truck Steering Column, Part 36, to the Crane Truck Chassis, Part 37. Cement the Crane Truck Cab Roof, Part 38, to the Crane Truck Chassis, as shown.
- B. Cement the Crane Truck Grille, Part 39, to the Crane Truck Chassis. Finally, place, do not cement, the Crane Boom Cab on the Crane Truck Chassis.



INSTRUCTIONS FOR APPLYING DECALS

1. Use a small brush to wet your model where decal is to be applied.
2. Cut one decal from decal sheet and dip in water. Take decal from water and wait 10 to 15 seconds.
3. Do not touch decal with your fingers. Wet your brush and slide decal so that one edge is partly off the backing paper.
4. Position the edge of the decal on your model. Hold the decal in place with your brush and gently slide the backing paper out from under the decal. (See drawing at right). Work carefully to avoid stretching decal.
5. Now position the decal on your model with the brush. Squeeze most of the water from the brush and carefully smooth the decal to remove air bubbles and excess water.
6. Allow plenty of time for decals to dry before handling.



LITHO IN U.S.A.

H-1824

COPYRIGHT 1959 BY REVELL, INC., VENICE, CALIF.

Look! OVER 120 MODELS YOU CAN BUILD AND COLLECT!



missiles! rockets! ships! planes!
combat models! gift sets! animals!

mail this coupon and 10¢ for your
**NEW FULL COLOR COLLECTOR'S
CATALOG OF REVELL HOBBY KITS**

24 PAGES! FULL COLOR!

- includes 46 brand new models never shown before!
- complete facts and full-color photos for over 125 Revell kits and sets!



REVELL, INC., Dept KC-8, 4223 Glencoe Avenue, Venice, California
Please rush me by return mail the new 24-page, full-color 1958-59
REVELL HOBBY KIT CATALOG. I am enclosing 10¢ in stamps or coin.

NAME (Please print) _____

ADDRESS _____

CITY _____ ZONE _____

STATE _____

CONTENTS: MERCHANDISE—Postmaster: This parcel may be opened for postal inspection if necessary. Return postage guaranteed.

Clf Along Line